

Uniclass	EPIC
L8247	Q247
CI/SfB	
(74.8)	X (U31)



stainless steel nappy changing unit

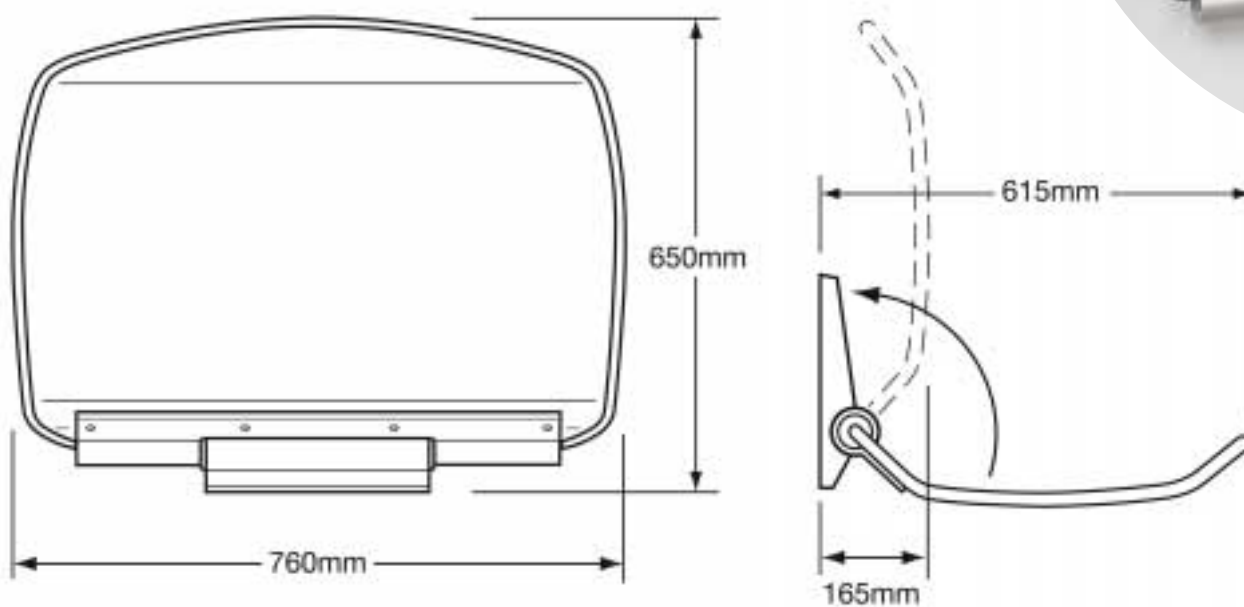


Stainless Steel Nappy Changing Unit Model MC75

Magrini's new stainless steel baby changing unit offers exceptional strength and durability. The all-metal construction is designed to withstand abuse and is ideal for unsupervised areas.

- Compact, fold-away design
- Stylish, brushed stainless steel finish
- Designed to withstand static loads of 100Kgs
- Graffiti and vandal resistant
- Ideal for use in areas where CCTV is not possible
- Exceptional fire resistance
- Independently tested to EN12221

Dimensions



Shown with optional changing mat. Ref: KB8443

Specification Clause:

Manufacturer: Magrini Ltd. Tel: 01543 375311 Fax: 01543 361172

Wall mounted stainless steel nappy changing unit. Ref: MC75

Size: 760mm (width), 650mm (height), 165mm (depth).

Material: Stainless steel 1.4301 DP2 with reinforced cast aluminium hinge system, dual hydro-pneumatic gas strut closing mechanism. Installation kit and security fixings supplied by manufacturer.

Price £560 excl. VAT





**Baby Changing
Equipment**

Magrini reserves the right to make changes to prices and specifications without notice.
Please confirm details at time of ordering.



Magrini Limited

Unit 5, Maybrook Industrial Estate, Brownhills, Walsall,
West Midlands WS8 7DG
Tel: 01543 375311
Fax: 01543 361172
sales@magrini.co.uk
www.magrini.co.uk